

# Lever Action Recess Set with FS729 Ultra-Rinse Pre-Rinse Trigger Spray & 1000mm Jumper Valve

A wall mounted recess set with the top assemblies suitable for installation into AS3718 tap bodies and supplied with a heavy pattern FS729 Self closing Trigger spray, 1000mm hose and wall bracket.

Lever Action Tapware is a world leader for quality, simplicity and proven endurance. The versatility makes them ideal for medical, surgical and laboratory use, as well as hygienic commercial food preparation. The simple lever action brings extra convenience for convalescent and retirement facilities; and especially for those with arthritis.

Each Lever Action tap is WaterMark licensed to AS/NZS 3718; created from durable, dezincification resistant brass for a long life.

All tapware is provided complete with handles, buttons and outlets when ordered as a set. Product is available in bright chrome, satin chrome or colour powder coat. Indicators are available as hot, warm or cold.

## HOS365

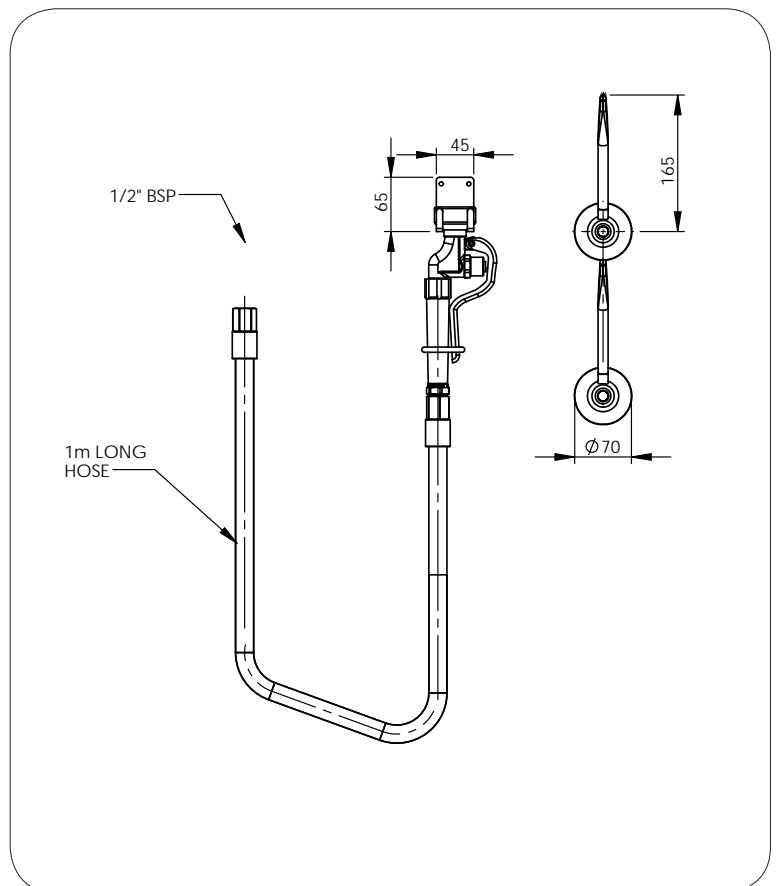


### Product Code

**HOS365** - Lever Action Recess Set with FS729 Ultra-Rinse Pre-Rinse Trigger Spray and 1000mm Jumper Valve

### Technical Information

Inlet Connection	15 mm (1/2") BSP
Working Pressure Range	30 - 1200 kPa
Recommended Pressure	100 - 500 kPa
Flow Rate	Supplied standard 4 l/minute with Enware Outlet. Not included under this code.
Operating Temperature Range	0-95°C
Recommended Temperature Range	5-30°C



Enware tap ware must be installed in accordance with the provisions of AS/NZS 3500. Installations not complying with AS/NZS 3500 may void the product and performance warranty provisions.

Version: APR10

**Call 1300 369 279**  
**www.enware.com**

Enware Australia Pty Limited  
9 Endeavour Rd Caringbah NSW 2229 Australia  
Ph: +61 2 9525 9511 Fax: +61 2 9525 9536