

Lever Action 150mm Type 50 Hob Surgeon Set with SP021

HOS401

Enware's lever action tapware is constructed from dezincification resistant (DR) brass with durable chrome plating and an easy to clean design. The simple lever action provides hands free elbow operation suitable for sterile environments where hygiene is critical. Quarter turn operation in either ceramic disc or jumper valve.

Features:

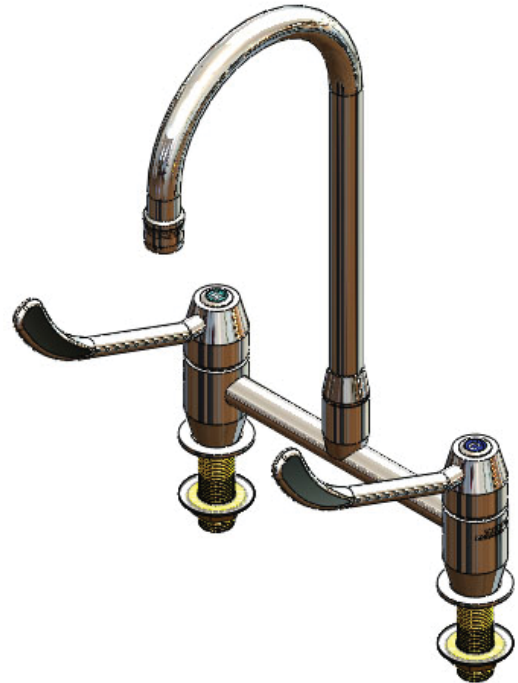
- High quality construction
- Comprehensive 12-month warranty
- Serviceable with all wearing components replaceable, thus providing an even longer life
- WELS 3 Star (8 lpm) water efficiency rating supplied as standard. Also available in 2 (9.5 lpm) and 5 (6 lpm) Star ratings

Product Codes

HOS401	150mm Lever 1/4 Turn Ceramic Disc
JHS401	150mm Lever 1/4 Turn Jumper Valve

Note:

Hot and Cold supplied standard, for warm request when ordering



Technical Information

Working Pressure Range Ceramic Disc	50-800kPa 500kPa Max (PCA)*
Working Pressure Range Jumper Valve	30-1200kPa 500kPa Max (PCA)*
Maximum Working Temperature*	Ceramic Disc - 85°C Jumper Valve - 95°C

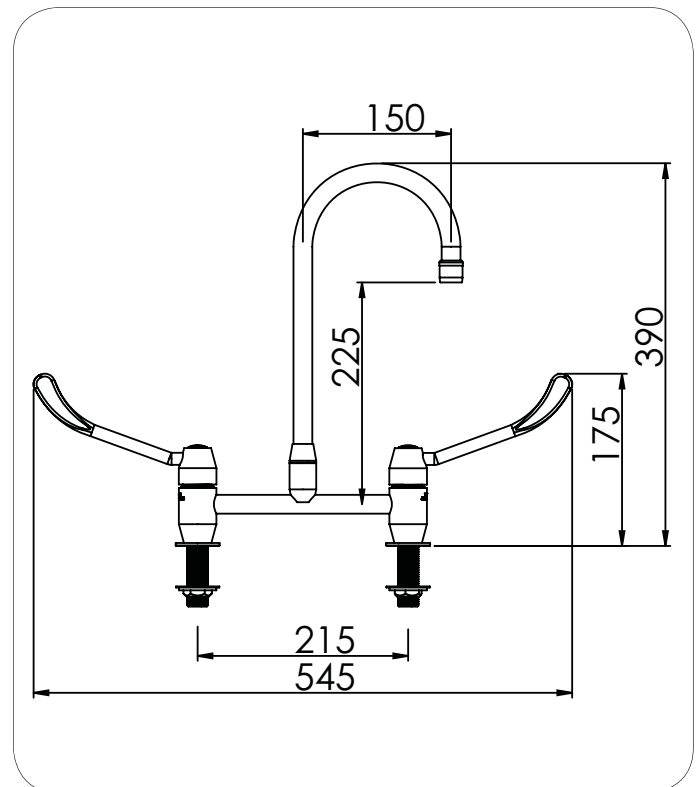
*Enware products are to be installed in accordance with AS/NZS3500.

Heated Water Supply AS/NZS 3500.4: For all sanitary fixtures used primarily for personal hygiene purposes are to deliver heated water not exceeding:

- 45°C for early childhood centres, primary and secondary schools and nursing homes or similar facilities for young, aged care, sick people with disabilities (43.5°C - NSW Code of Plumbing Practice)
- 50°C in all other buildings

NOTE: Enware Australia advises -

- Due to ongoing Research and Development, specifications may change without notice.
- Component specifications may change on some export models.



Version: AUG13

Call 1300 369 273
www.enware.com

Enware Australia Pty Limited
9 Endeavour Rd Caringbah NSW 2229 Australia
Ph: +61 2 8556 4000 Fax: +61 2 8556 4055

ENWARE
installing confidence