

Type B Washbasin Kit eSQX Touch-Free Point-of-Use Thermostatic Mixer

Providing a simple, compliant and functional Type B Handwash Station Kit to meet the requirements of the Australasian Health Facility Guidelines and hospital hand wash guidelines to aid in infection control whilst still being user friendly with easy maintenance.

Ideal for hospitals, health care and research facilities. Kit is made up of Enware Kolo Rekord basin complete with shroud and eSQX infra-red touch-free point-of-use Thermostatic Mixer.

KITB08

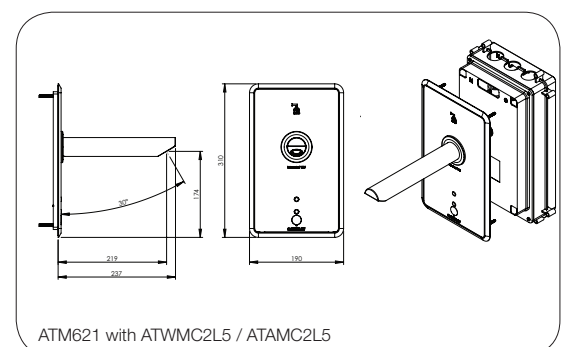
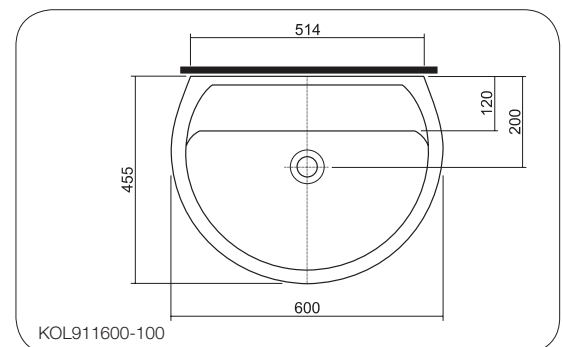
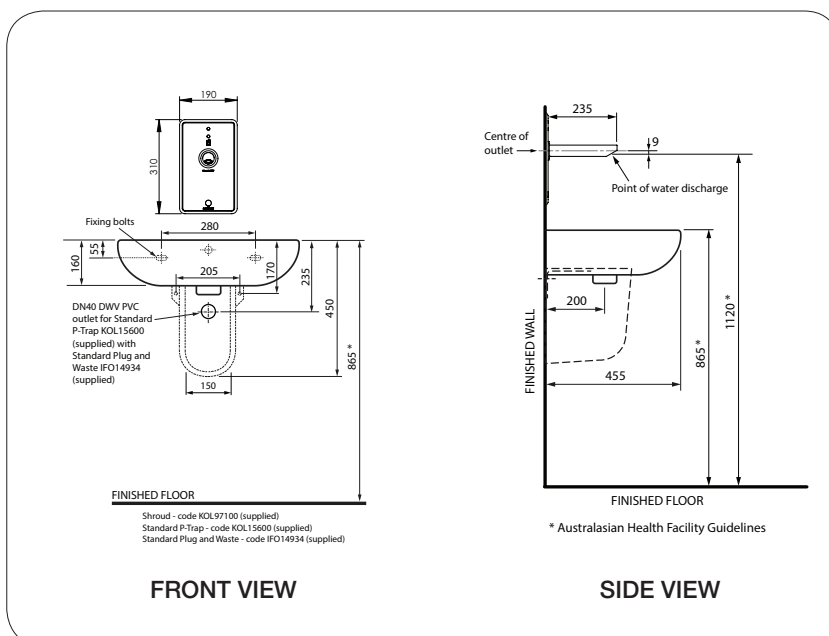
FEATURES

- Designed in accordance with the Australasian Health Guidelines for Type B wash basin stations
- Spout & waste positions staggered to optimise infection control
- eSQX touch-free point-of-use thermostatic mixer to minimise Legionella, infection & bacterial growth risks
- ATM621 In-Wall thermostatic mixer with 230mm spout, choose from Wave-On Wave-Off (ATWMC2L5) or Active Sense (ATAMC2L5)
- Basin design is anti-water harbouring with no overflow for better infection control
- Fully rimmed basin for better water and splash retention
- Curved surfaces for better drainage
- Supplied with shroud for superior infection control
- Easy access to waste
- Low maintenance



Product Codes

- KITB08** Type B Washbasin Kit (Includes: basin, shroud, plug and waste, water trap, Wave-On Wave-Off eSQX Thermostatic Mixer)
- KITB08-A** Type B Washbasin Kit (Includes: basin, shroud, plug and waste, water trap, Active Sense eSQX Thermostatic Mixer)



Version: Jul 18

Call 1300 369 273
www.enware.com.au

Enware Australia Pty Limited
9 Endeavour Rd Caringbah NSW 2229 Australia
Ph: 02 8536 4000 info@enware.com.au