

# Slimline Right Angle Wall Mounted Laboratory Tap

## LCN140WB

Enware's Slimline laboratory outlets are supplied with a tapered tube nozzle and are assembled for each specific media type.

Activation methods include a needle valve, for accurate adjustment or a push-to-turn valve with visual on/off indication.

The durable powder coat finish gives significant protection against corrosion, discolouration and surface damage.

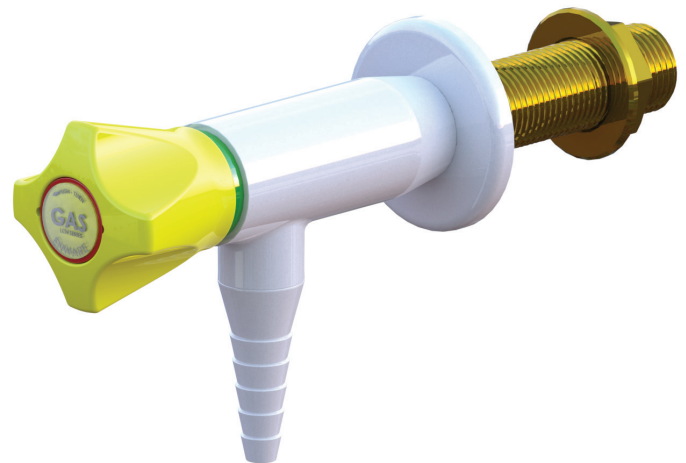
Slimline handles are ergonomically designed for precise feel and finger tip control. Handles are colour coded for easy service identification and use complimentary buttons.

### FEATURES

- AGA approved
- Suited for burning gases up to technical gas level 2.0
- Teflon needle valve with stainless steel seat or Push-to-turn valve with visual on/off indication
- Durable powder coat finish
- Handle and indicator button identification to suit specified media
- 1/2" BSP male inlet tail with 3/8" BSP female
- Fixing kit (backnut and antirotation pin)
- Tube nozzle
- Optional integral isolation/service valve

### Additional Options

- Finishes - Durable white powder coat (standard), bright chrome or alternate powder coat colouring available

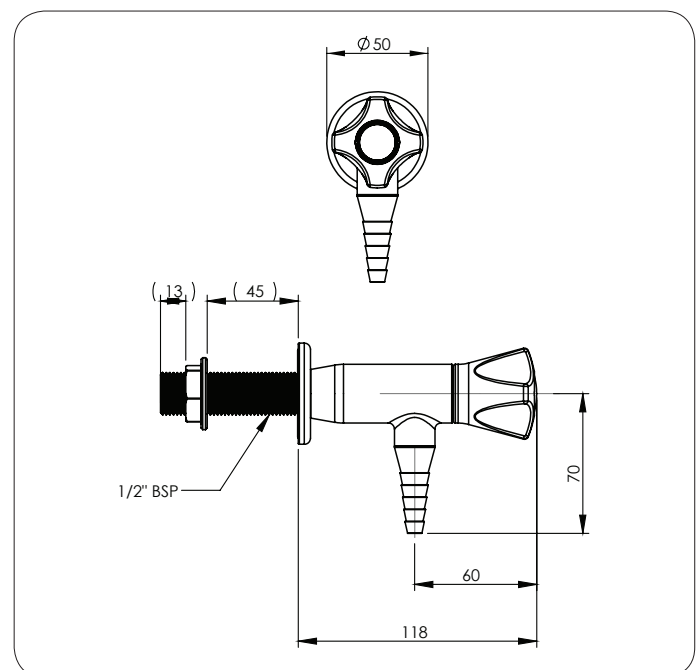


### Product Codes

<b>LCN140WB</b>	Push-To-Turn Valve - Burning Gas Only
<b>LCN140WBI</b>	Push-To-Turn Valve with Isolation Valve - Burning Gas Only
<b>LCN140WN</b>	Needle Valve
<b>LCN140WNI</b>	Needle Valve with Isolation Valve

### Technical Information

Connection	1/2" BSP Male/Female
	3/8" BSP Female
Recommended Maximum Working Pressure - Needle Valve	7kPa (burning gases)
Recommended Maximum Working Pressure - Push-to-Turn Valve	7kPa (burning gases)
Outlet Connection	Tube Nozzle
	3/8" BSP Female (without nozzle)
	Other options available
Burning Gas Options	Acetylene, Ethylene, Methane, Natural Gas, LPG, Propylene <i>NOTE: Client to specify media type</i>



Version: Sep 15

Call 1300 369 273  
www.enware.com.au

Enware Australia Pty Limited  
9 Endeavour Rd Caringbah NSW 2229 Australia  
Ph: 02 8536 4000. info@enware.com.au