

# Slimline Right Angle Wall Mounted Laboratory Tap (Water)

## LCN140W

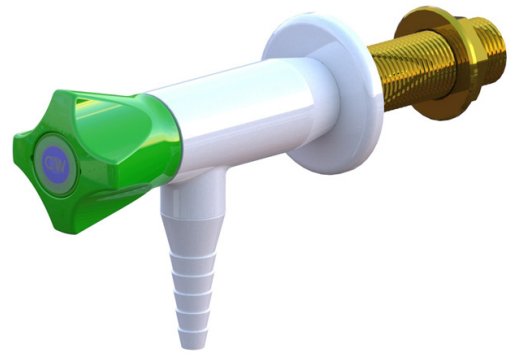
Enware's Slimline laboratory outlets are supplied with a tapered tube nozzle and are assembled for each specific media type.

The durable powder coat finish gives significant protection against corrosion, discolouration and surface damage.

Slimline handles are ergonomically designed for precise feel and finger tip control. Handles are colour coded for easy service identification and use complimentary buttons.

### FEATURES

- Ceramic disc (3/4 turn) or needle valve headworks
- Durable powder coat finish
- Handles and indicator button to suit specified media
- Tube nozzle with flow control and dual check valves
- Optional integral isolation/ service valve



### Product Codes

<b>LCN140W</b>	Ceramic Disc - Cold/ Hot Water
<b>LCN140WI</b>	Ceramic Disc with Integral Isolation Valve - Cold/ Hot Water
<b>LCN140WN</b>	Needle Valve - Cold/ Hot/ Chilled Water
<b>LCN140WNI</b>	Needle Valve with Integral Isolation Valve - Cold/ Hot/ Chilled Water



### Technical Information

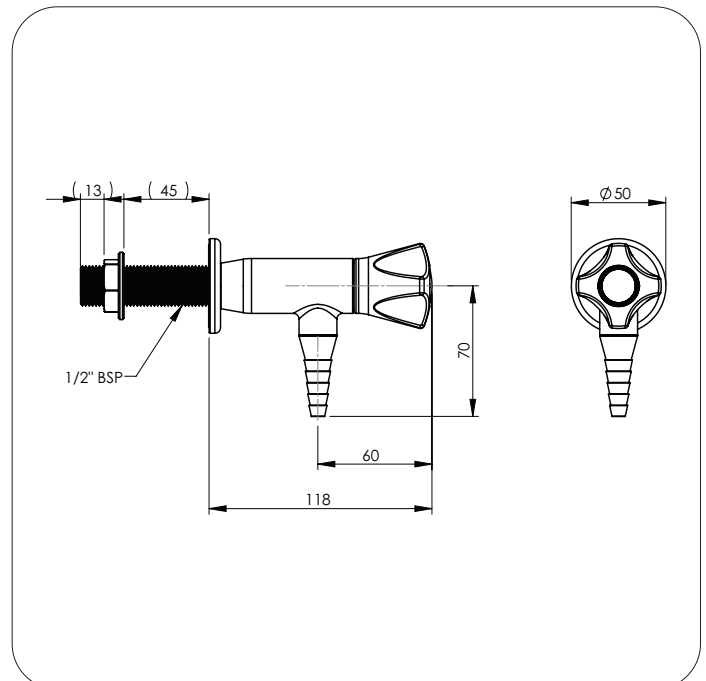
Inlet Connection	1/2" BSP Male
Working Pressure Range Ceramic Disc	20 - 700 kPa* (Water)
Working Pressure Range Needle Valve	1 - 700 kPa* (Water)
Maximum Testing Pressure	1000 kPa
Working Temperature Range	0 - 90 °C
Outlet Connection	Tube Nozzle 3/8" BSP Female (without nozzle)
Water Options	Cold, Hot and Chilled Water <i>Note: Client to specify media type Chilled Water available with needle valve only.</i>

\*Enware products are to be installed in accordance with the Plumbing Code of Australia (PCA) and AS/NZS3500. Installations not complying with PCA and AS/NZS 3500 may void the product and performance warranty provisions.

Reference should also be made to the Australasian Health facility Guidelines (AHFG), ABCB and Local Government regulations when considering the choice of, and the installation of these products.

NOTE: Enware Australia advises:

1. Due to ongoing Research and Development, specifications may change without notice.
2. Component specifications may change on some export models.
3. Refer to Warranty Statement for warranty details - [www.enware.com.au/warranty](http://www.enware.com.au/warranty)



Version: Sep 21

Call 1300 369 273  
[www.enware.com.au](http://www.enware.com.au)



Enware Australia Pty Limited  
9 Endeavour Rd Caringbah NSW 2229 Australia  
Ph: 02 8536 4000 [info@enware.com.au](mailto:info@enware.com.au)