

Slimline Front Panel Valve - Water

LCN150

Enware's Slimline laboratory front panel valves are assembled for each specific media type.

The durable powder coat finish gives significant protection against corrosion, discolouration and surface damage.

Slimline handles are ergonomically designed for precise feel and finger tip control. Handles are colour coded for easy service identification and use complimentary buttons.

All front panel valves are designed to be compact and easy to install and have a range of complimentary outlet options to choose from.

FEATURES

- Ceramic disc (3/4 turn) or needle valve headworks
- Durable powder coat finish
- Handle and indicator button identification to suit specified media
- Quick Connect for connection to 8mm flexible tube



Product Codes

LCN150Q	Ceramic Disc - Quick Connect (Cold/ Hot Water)
LCN150NQ	Needle Valve - Quick Connect (Cold/ Hot Water)



Technical Information

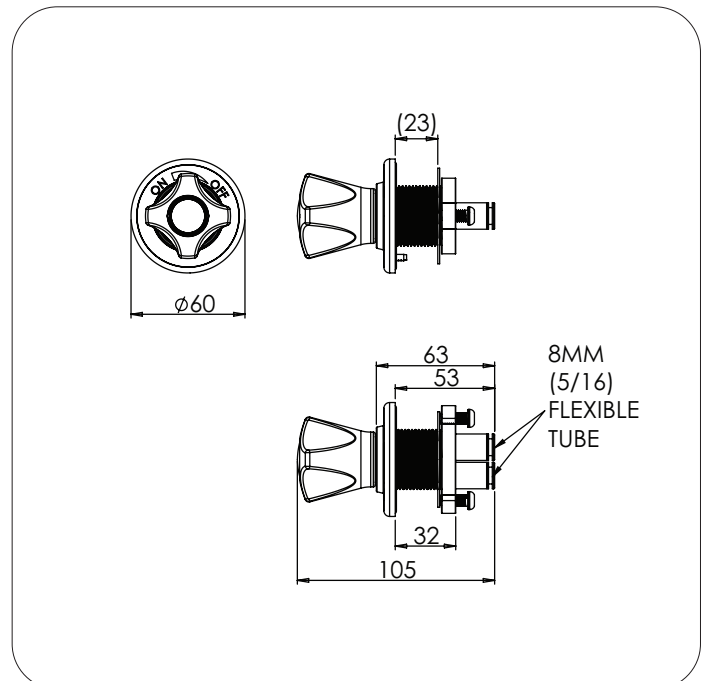
Inlet / Outlet Connection	Quick Connect (to suit 8mm Flex Tube)
Working Pressure Range Ceramic Disc	20 - 700 kPa* (Water)
Working Pressure Range Needle Valve	1 - 700 kPa* (Water)
Maximum Testing Pressure	1000 kPa
Working Temperature Range	0 - 90 °C
Water Options	Cold, Hot <i>Note: Client to specify media type</i>

*Enware products are to be installed in accordance with the Plumbing Code of Australia (PCA) and AS/NZS3500. Installations not complying with PCA and AS/NZS 3500 may void the product and performance warranty provisions.

Reference should also be made to the Australasian Health facility Guidelines (AHFG), ABCB and Local Government regulations when considering the choice of, and the installation of these products.

NOTE: Enware Australia advises:

1. Due to ongoing Research and Development, specifications may change without notice.
2. Component specifications may change on some export models.
3. Refer to Warranty Statement for warranty details - www.enware.com.au/warranty



Version: Sep 21

Call 1300 369 273
www.enware.com.au



Enware Australia Pty Limited
9 Endeavour Rd Caringbah NSW 2229 Australia
Ph: 02 8536 4000 info@enware.com.au