

LEVA Sequential Surgeon Mixer

LEV150420SQ

The LEVA Sequential Surgeon Mixer is a new concept in Single Lever Type Mixers, designed specifically for use in Health and Aged Care premises where hands free, elbow operated scrub facilities are required.

The standard 150mm lever operates a sequential ceramic cartridge that does not require a "lift" motion, and turns progressively from off, to cold, to mixed with a subtle click indicator at each point to assist the user. This feature ensures the mixer is easy to use and control as well as reducing hot water consumption and potentially reducing the risk of legionella.

The flat spout holds minimum of water and can be removed for disinfection. The extended length ensures that the water stream does not flow directly into the basin waste, reducing the risk of airborne bacteria. Laminar flow aerators are standard to reduce the risk of airborne water droplets.

Matches perfectly with the Aquablend Health TMV with Four Way Mixer.

FEATURES

- Sequential Ceramic Disc Mixing Cartridge ensures ultimate control with cold start up and stop
- "CLICK" at Off, Cold and Mixed positions
- Removable spout allows disinfection
- Colour indicators for Hot/Warm, Cold and Off
- On-wall isolating ball valves
- Attractive, solid brass chrome body with 150mm Leva Handle ensures ease of use either by wrist or elbow
- Laminar flow aerator reducing the risk of airborne bacteria
- 80mm Lever Handle option available



Product Codes

LEV150420SQ LEVA Sequential Surgeon Mixer - 150mm Lever

OPTIONS

LEV80420SQ LEVA Sequential Surgeon Mixer - 80mm Lever

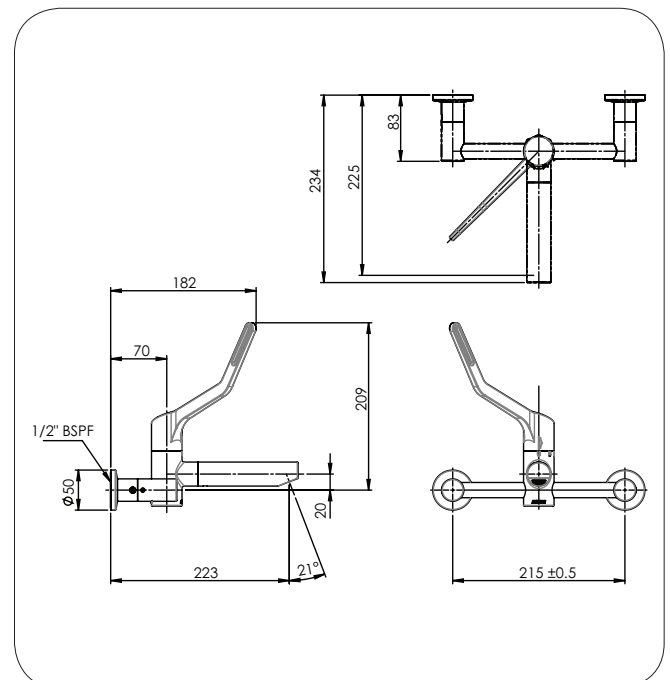
Technical Information

Working Pressure Range	50-800 kPa
Recommended Maximum Pressure	500 kPa*
Working Temperature Range	5°C – 85°C *

Enware products are to be installed in accordance with the Plumbing Code of Australia and AS/NZS3500.

Reference should also be made to the Australasian Health facility Guidelines (AHFG), ABCB and Local Government regulations when considering the choice of, and the installation of these products.

NOTE: Enware Australia advises: 1. Due to ongoing Research and Development, specifications may change without notice. 2. Component specifications may change on some export models.



Version: Jan 20

Call 1300 369 273
www.enware.com.au

Enware Australia Pty Limited
9 Endeavour Rd Caringbah NSW 2229 Australia
Ph: 02 8536 4000 info@enware.com.au

