

# Leva 80mm Recess Adaptor

The Leva range combines outstanding quality with functional, beautiful design. For easy palm and wrist activated tapware, the LEVA 80 series delivers an extensive choice with greater control, particularly for arthritis sufferers.

For accessible applications LEVA also delivers the benefits of easier reach, operation and control.

## FEATURES

- Ergonomic sleek design
- Robust construction for superior performance
- Unique handle fixing delivers superior strength and durability
- Clear identification on all lever handles with blue, yellow or red coloured indicator collars

## OPTIONS

- Ceramic disc or non-rising jumper valve
- Bright chrome standard; satin chrome or colour powder coat finishes available on request

# LEV80308



## Product Codes

<b>LEV80308LTC</b>	¼ Turn Ceramic Disc - Anti-Clockwise to Close
<b>LEV80308RTC</b>	¼ Turn Ceramic Disc - Clockwise to Close
<b>LEV80308BRLTC</b>	¼ Turn Ceramic Disc - Anti-Clockwise to Close with Blue (Powder Coat) Lever Handle
<b>LEV80308BRRTC</b>	¼ Turn Ceramic Disc - Clockwise to Close with Red (Powder Coat) Lever Handle
<b>LJV80308LTC</b>	¼ Turn Jumper Valve - Anti-Clockwise to Close
<b>LJV80308RTC</b>	¼ Turn Jumper Valve - Clockwise to Close



## Technical Information

Working Pressure Range Ceramic Disc	50-800kPa 500kPa Max (PCA)*
Working Pressure Range Jumper Valve	30-1200kPa 500kPa Max (PCA)*
Maximum Working Temperature*	Ceramic Disc - 85°C Jumper Valve - 95°C

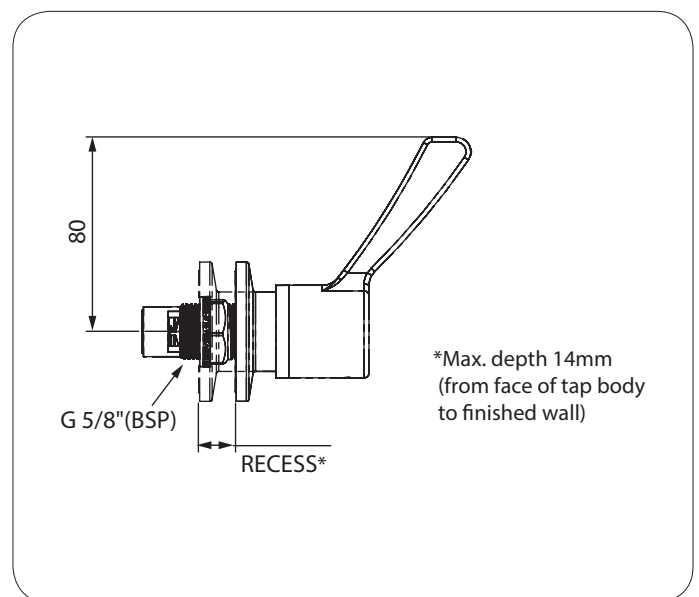
\*Enware products are to be installed in accordance with the Plumbing Code of Australia and AS/NZS3500.

Thermostatic mixing valves may be required.

Reference should also be made to the Australasian Health facility Guidelines (AusHFG), ABCB Regulations and Local Building Codes when considering the choice of, and the installation of these products.

NOTE: Enware Australia advises:

1. Due to ongoing Research and Development, specifications may change without notice.
2. Component specifications may change on some export models.
3. Refer to Warranty Statement for Warranty details [www.enware.com.au/warranty](http://www.enware.com.au/warranty)



Version: Apr 19

Call 1300 369 273  
[www.enware.com.au](http://www.enware.com.au)

Enware Australia Pty Limited  
9 Endeavour Rd Caringbah NSW 2229 Australia  
Ph: 02 8536 4000 [info@enware.com.au](mailto:info@enware.com.au)