

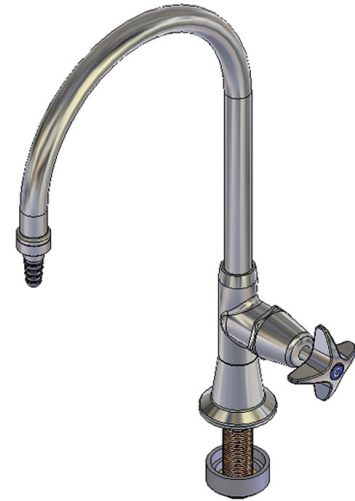
School Pattern Type 16C2 With Fixed Tube Nozzle

LF109ST

Enware's School Lab series includes robust water and gas fittings are built for the rigours of school laboratory applications. This product is part of NSW School Specification and includes an aerator. Available in a left and right hand model.

Features:

- High quality construction with durable chrome plating
- Anti-rotation lugs
- Vandal resistant school pattern or CS handle
- Comprehensive 12-month warranty
- Serviceable with all wearing components replaceable, thus providing an even longer life
- Supplied with cold identification



Product Codes

LF109ST School Pattern Jumper Valve - Right Hand
(NSW School Specifications)

Options:

- CS handle - refer to LCS
- Epoxy coating - specify when ordering
- Outlet attachments - aerated, anti-vandal aerator contact Enware for more information
- Alternate spout sizes - contact Enware for more information

Technical Information

Working Pressure Range	50-800kPa
Ceramic Disc	500kPa Max (PCA)*
Working Pressure Range	30-1200kPa
Jumper Valve	500kPa Max (PCA)*
Maximum Working Temperature*	Ceramic Disc - 85°C
	Jumper Valve - 95°C

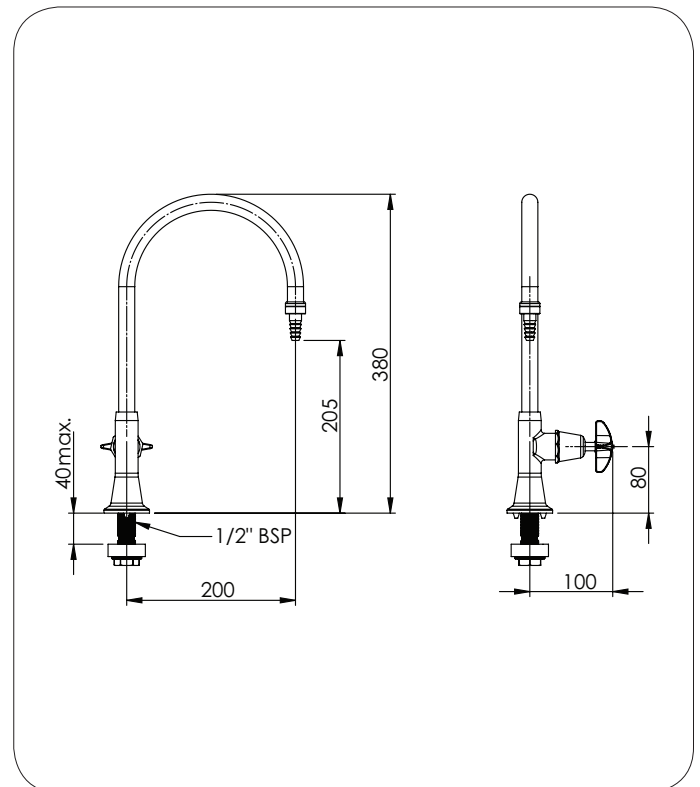
*Enware products are to be installed in accordance with AS/NZS3500.

Heated Water Supply AS/NZS 3500.4: For all sanitary fixtures used primarily for personal hygiene purposes are to deliver heated water not exceeding:

- 45°C for early childhood centres, primary and secondary schools and nursing homes or similar facilities for young, aged care, sick people with disabilities (43.5°C - NSW Code of Plumbing Practice)
- 50°C in all other buildings

NOTE: Enware Australia advises -

- Due to ongoing Research and Development, specifications may change without notice.
- Component specifications may change on some export models.



Version: AUG13

Call 1300 369 273
www.enware.com.au

Enware Australia Pty Limited
9 Endeavour Rd Caringbah NSW 2229 Australia
Ph: +61 2 8556 4000 Fax: +61 2 8556 4055

