

Vario Changing Bed With Guard 190 x 70cm

RP40-30811

Vario is an elegant changing bed that allows caregivers to work in healthy and ergonomic positions, and it is also very comfortable and safe for users who need support. It is a very practical solution because you can easily fold it up when it is not in use. The built-in shock absorbers make the nursing bench effortless to fold up or down.

The height adjustable changing bed is wall-mounted. You can adjust the height from 30-100 cm using a hand control. This allows the caregivers to lower the bench when helping a child or adult onto the bench and afterward the carers can raise it to an ergonomically correct working height.

The nursing bench fits children and adults and is available in 180cm and 190cm lengths. It makes it suitable for both nursing schools, kindergartens and other child care centres, and for senior housings and institutions where people with limited capacity need assistance with changing and personal care.

FEATURES

- The Vario changing bed is mounted on the wall.
- The height is adjustable from 30-100cm using the hand control with spiral line.
- When the changing bed is not in use, the tabletop can be folded up and locked in a vertical position so that it takes up very little space in the room.
- Folding up and down the table top takes place in a muted movement.
- The mattress has a cleaning-friendly surface that makes it easy to clean after use.

Product Codes

RP40-30811 Vario Changing Bed with Guard
190 x 70cm

OPTION

- Vario Changing Bed Guard Cover 180/190cm - **RP40-25783**

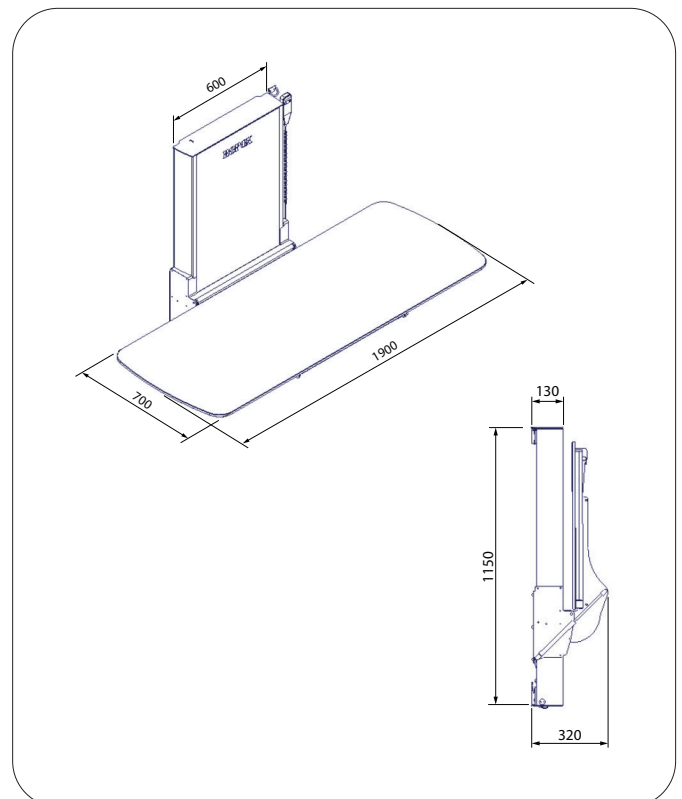


SPARE PART

- Vario Changing Bed Mattress 190cm - **RP40-25765**
(Grey, 3cm thickness)

Technical Information

Materials	Laminate, aluminium, coated steel, stainless steel
Maximum User Weight	200 kg
Height Adjustment Range	300mm - 1000mm
Bed Length	1900mm



Version: Sep 20

All dimensions are in millimetres. Enware Australia advises: 1. Due to ongoing Research and Development, specifications may change without notice; 2. Component specifications may change on some export models; 3. Refer to Warranty Statement for warranty details on www.enware.com.au/warranty

Call 1300 369 273
www.enware.com.au

Enware Australia Pty Limited
9 Endeavour Rd Caringbah NSW 2229 Australia
Ph: 02 8536 4000 info@enware.com.au

