

School Pattern Bib Tap

VP325

The bib tap is used in wall mounted applications to provide a single outlet for water. A separate hot and cold tap is used where required. The standard rising spindle operates a jumper valve to open and close the tap. Ceramic disc options are available in ¼, ½ and ¾ turn across the range.

The options of different outlets - aerator or abluton allow a suitable tap fitting to be provided for specific applications and may incorporate flow control.

VP325S complies to NSW School Specification.



Product Codes

VP325F - School Pattern Bib Tap FI Aerated - Jumper Valve

VP325S - School Pattern Bib Tap FI Aerated - Jumper Valve - A/V Aerator (School Specification)

VPQ325F - School Pattern Bib Tap FI Aerated - ¼ Turn Ceramic Disc

VP325M - School Pattern Bib Tap MI Aerated - Jumper Valve

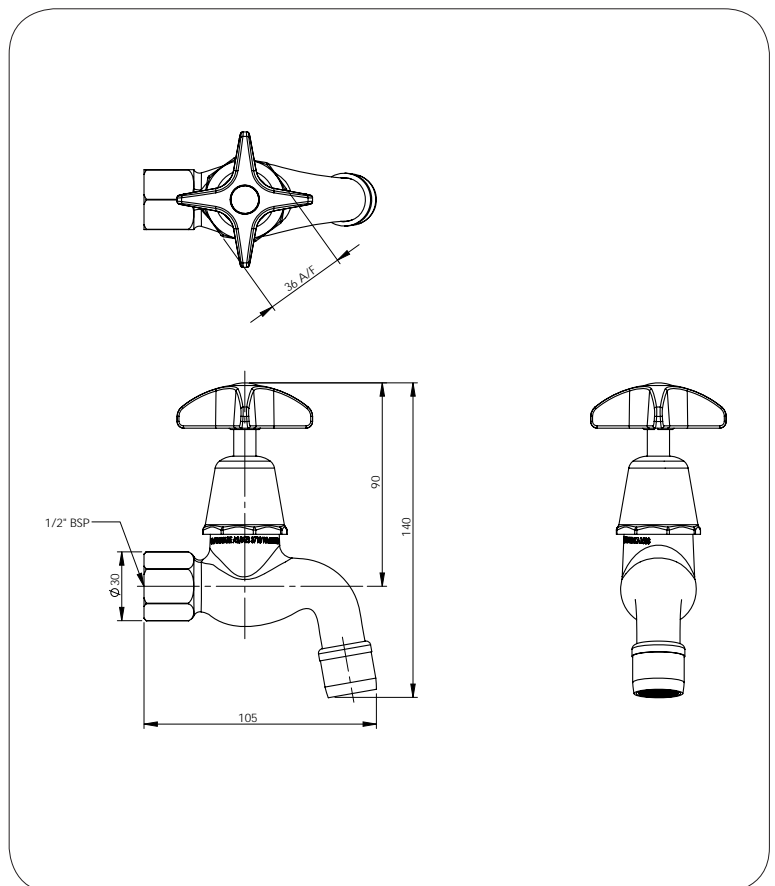
Technical Information

Inlet Connection	½" BSP
Working Pressure Range	10-2000kPa
Recommended Pressure	100-500kPa
Flow Rate	as per star rating
Operating Temperature Range	0-95°C



Enware tap ware must be installed in accordance with the provisions of AS/NZS 3500. Installations not complying with AS/NZS 3500 may void the product and performance warranty provisions.

Version: FEB11



Call 1300 369 279
www.enware.com

Enware Australia Pty Limited
 9 Endeavour Rd Caringbah NSW 2229 Australia
 Ph: +61 2 9525 9511 Fax: +61 2 9525 9536